



OptoTech

OAC-25 *plus*

Coating System for Ophthalmic Lenses



Ideal for small production volumes.

The **OAC-25 Plus** is optimized for shortest processing times.

The evaporation coater is used for the application of high quality anti-reflective (AR) coatings and clean coats (CC) on ophthalmic lenses. It is characterized by the product quality for which OptoTech is known, ease of use, and exceptional reliability in the daily production operation.

Smart Solutions for Professionals



Production Capacity per Batch:

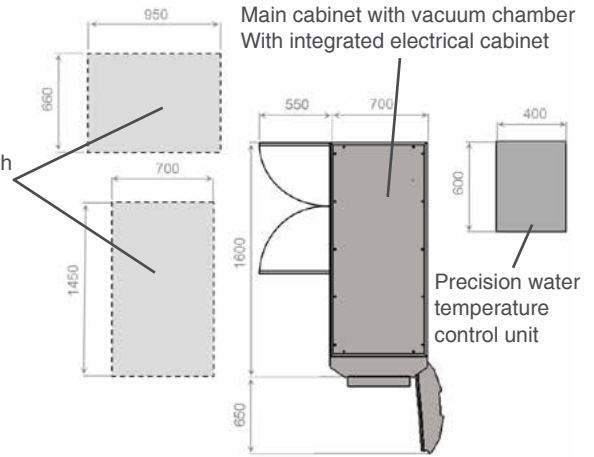
Lens capacity Ø 60 to 80 mm 8 lenses (flip over)

Competitive Coating Processes:

- DURACOTE** Broadband AR coating on plastic lenses
- DURAQUARTZ** Broadband AR coating on mineral lenses
- DURAFLEX** Mirror coating available in different colours like silver, gold, blue...

Optional: Meissner-trap with Polycold and water chiller

Special and customized coatings on request.

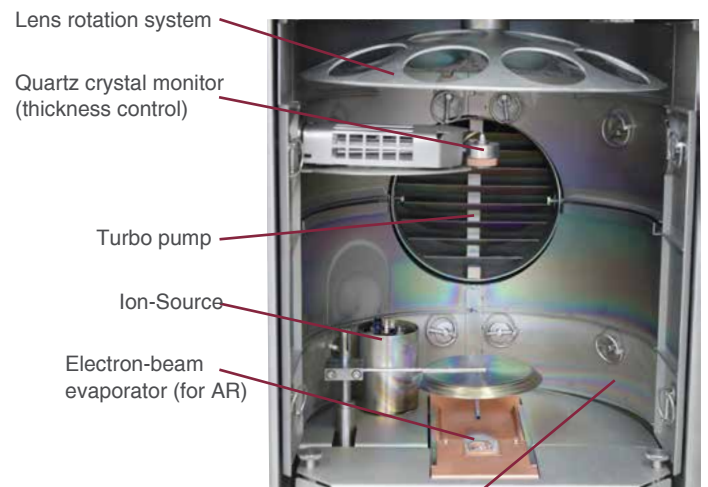


- Perfect for small RX-labs and starters with AR-coating
- Reliable in the daily production
- Easy-to-operate
- Highly flexible and with shortest cycle times less than 30 minutes (single side)
- Pumping system with turbo pump and pre-pump
- Advanced pumping with Meissner trap + Polycold (optional)
- High quality stainless steel vacuum chamber with electropolished surface
- Process control unit with user interface
- Electron-beam evaporation system
- Ion source
- Thin film deposition control with quartz crystal method

Wide range of coating consumables and coating materials available



Lens rotation and flip system



Meissner + Polycold for fast processing

OptoTech Optikmaschinen GmbH

Sandusweg 2-4
 35435 Wetztenberg / Germany
 Tel.: +49 (0)641/98203-0
 Fax.: +49 (0)641/98203-900
 Email: info@optotech.de
 Web: www.optotech.de

Date: 02-01-2017, subject to change